

HUBER+SUHNER® DATA SHEET

SENCITY® ACCESSORY

FOR PLANAR ANTENNA

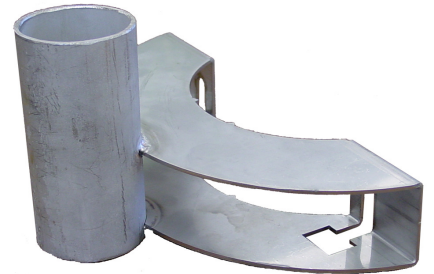
Rev: H



Sidetilt Bracket 9091.99.0160

Type no.	Article no.
9091.99.0160	23016855

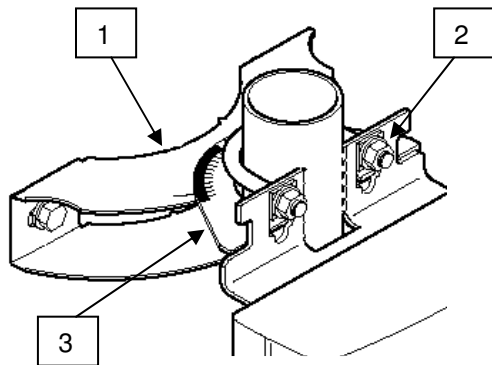
Documents	
01.02.1506	mounting instruction



Documents	
01.02.0777	security instruction



**Wall mounting instructions, bracket type
no. 9091.99.0160**



Mount the sidetilt bracket [1] to the wall.

Attach the mounting bolts [2] to the antenna.

Attach the antenna to the sidetilt bracket.

Put the antenna into the correct sidetilt angle. You will find this angle on the angle indicator [3].

Tighten bolts [2].

Attention: check if all bolts are tightened.

HUBER+SUHNER is certified according to ISO 9001 and ISO 14001

WAIVER!

It is exclusively in written agreements that we provide our customers with warrants and representations as to the technical specifications and/or the fitness for any particular purpose. The facts and figures contained herein are carefully compiled to the best of our knowledge, but they are intended for general informational purposes only.



HUBER+SUHNER AG
RF Industrial
9100 Herisau, Switzerland
Phone +41 (0)71 353 41 11
Fax +41 (0)71 353 45 90
www.hubersuhner.com

HUBER+SUHNER – Excellence in Connectivity Solutions